

Partizan IPD-2SP-IR

Main features:

- ✓ Full HD resolution
- ✓ Dome type
- ✓ 3.6 mm lens
- ✓ IR leds
- ✓ Weatherproof housing
- ✓ IP66 rating
- ✓ 3-Axis mounting
- ✓ PoE support
- ✓ ONVIF support
- ✓ iOS & Android Free Software
- ✓ Free Surveillance software included



Camera model		IPD-2SP-IR	
Version		1.0	
Sensor		1/2.8" Full HD Sony Ultra	
Sensitivity		0.1 Lux at F1.4	
Pixel Size		2.8 μm x 2.8 μm	
Resolution	Main Stream	1920x1080@25fps, 704x576@25fps	
	Sub Stream	704x576@25fps, 352x288@25fps	
IR LED	Distance	Up to 30 m	
	Beam Spread	30°	
	Wavelength	850 nm	
IR Cut Filter		Auto	
Lens	Focal length		3.6 mm
	Iris		F1.4
	Angle of View	Hor.	72°
		Vert.	44°
Exposure mode	Auto	0,256 – 65 ms	
	Manual	1/50s – 1/10000s	
Day/Night mode		Auto / Color / Black and White	
Video functions		BLC, DWDR, AGC, Slow Shutter, OSD, Privacy Masks.	
Codec profile	H.264	Baseline / Main / High	

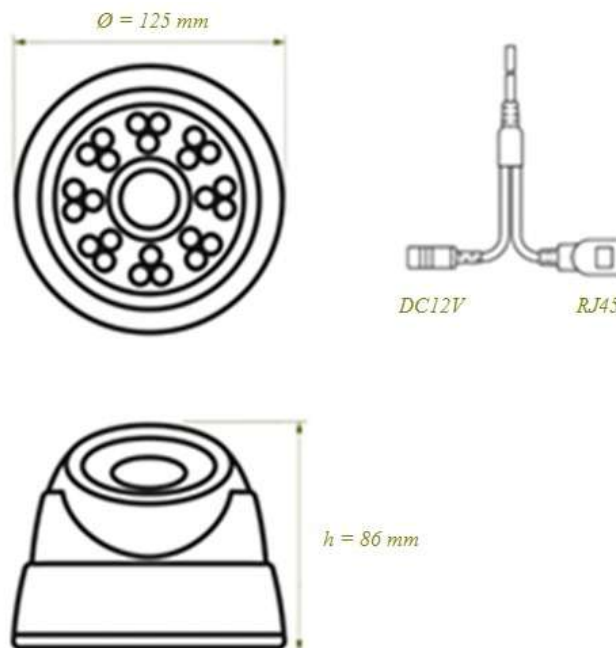
Bitrate	Type	Constant	1024 kb/s - 8192 kb/s
		Variable	Worst / Worse / General / Good / Better / Best
Network functions		Partizan NIP, DDNS, IP Filter, Email, NTP, PPPoE, UPNP, FTP, RTSP	
Browser supported		Internet explorer, Opera, Mozilla Firefox, Google Chrome	
Languages		English, Russian, Arabic, French, Polish, Romanian, German, Italian, Portuguese, Czech	
Alarm	Inputs	None	
	Outputs	None	
Power consumption	DC12V	0.5 A	
	PoE	6W (PoE class 2)	
Dimension	Body	Ø125x86 mm	
IP rating		IP66	
Operating t°		-40°C - +60°C	
Weight		600 g	
Software supported	Free	CMS Partizan	
	Professional	AxxonNext, Intellect, SecurOS, Milestone, Macroscop	
Mobile software	iOS	Partizan CCTV	
	Android	Partizan CCTV	
System Integration		Partizan SDK, Onvif, RTSP	
Warranty		3 years	

Camera Kit: Multilanguage manual, Software CD, substrate for mounting, set of keys and screws.

Network settings

Default IP address	192.168.1.10
Username	admin
Password	No password! Default password is empty.
Web port	80
Onvif port	8899
RTSP port	554
RTSP string	rtsp://192.168.1.10:554/user=admin&password=&channel=1&stream=0.sdp?
Control port	34567
Mobile port	34599

Installation Manual



- For easy mounting we provide substrate, which schematically noted designated for drilling the mounting surface.
- Using included dowels, mount the camera on the surface.
- After mounting the camera, adjust the camera angle.